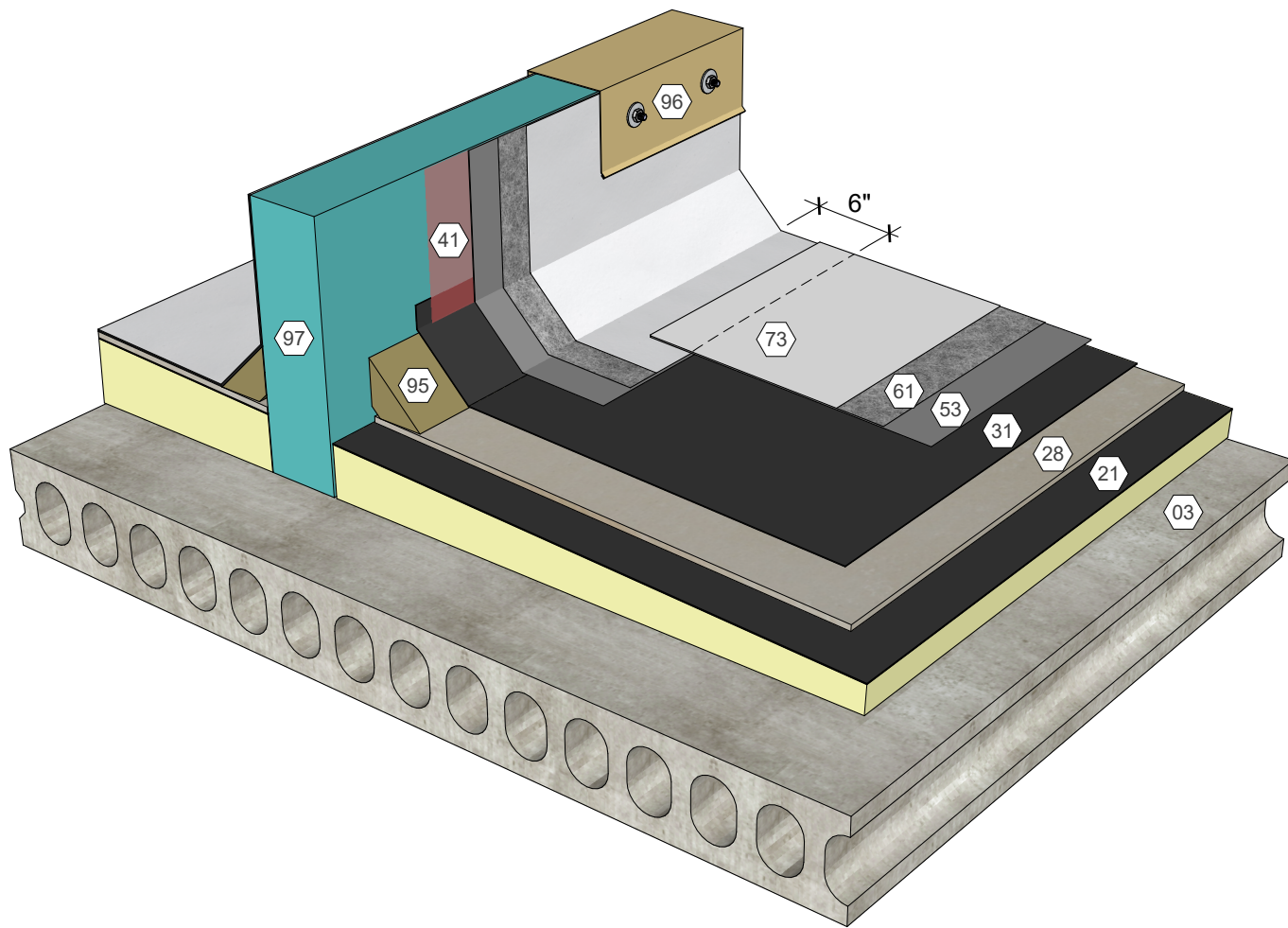


## KEY NOTES

- 01 Metal Deck
- 09 Roof Structure
- 22 Polyisocyanurate Insulation (Fastened or Adhered)
- 28 Cover Board (Adhered)
- 31 Approved Base Ply Sheet
- 41 Approved Primer
- 53 AlphaGuard PUMA Base Coat
- 61 AlphaGuard Glass Mat or Permafab
- 73 AlphaGuard PUMA Top Coat
- 95 Cant Strip
- 96 Metal Coping
- 97 Prefabricated Curb

AlphaGuard® PUMA Plus Equipment Support Detail, Metal Deck  
Detail 24101

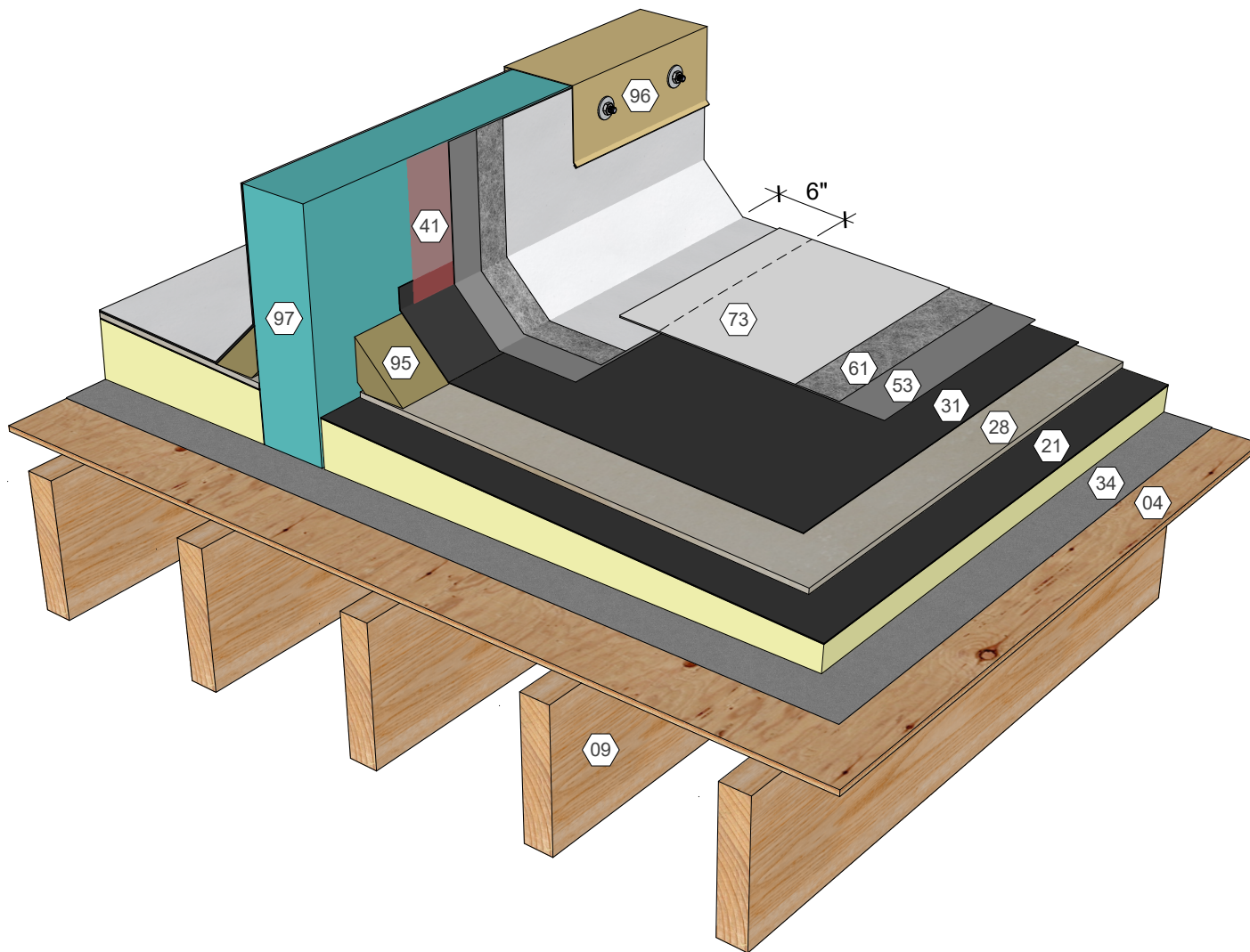




### KEY NOTES

- ①03 Precast Concrete Deck
- ①21 Polyisocyanurate Insulation (Adhered)
- ①28 Cover Board (Adhered)
- ①31 Approved Base Ply Sheet
- ①41 Approved Primer
- ①53 AlphaGuard PUMA Base Coat
- ①61 AlphaGuard Glass Mat or Permafab
- ①73 AlphaGuard PUMA Top Coat
- ①95 Cant Strip
- ①96 Metal Coping
- ①97 Prefabricated Curb

AlphaGuard® PUMA Plus Equipment Support Detail, Precast Concrete Deck  
 Detail 24103

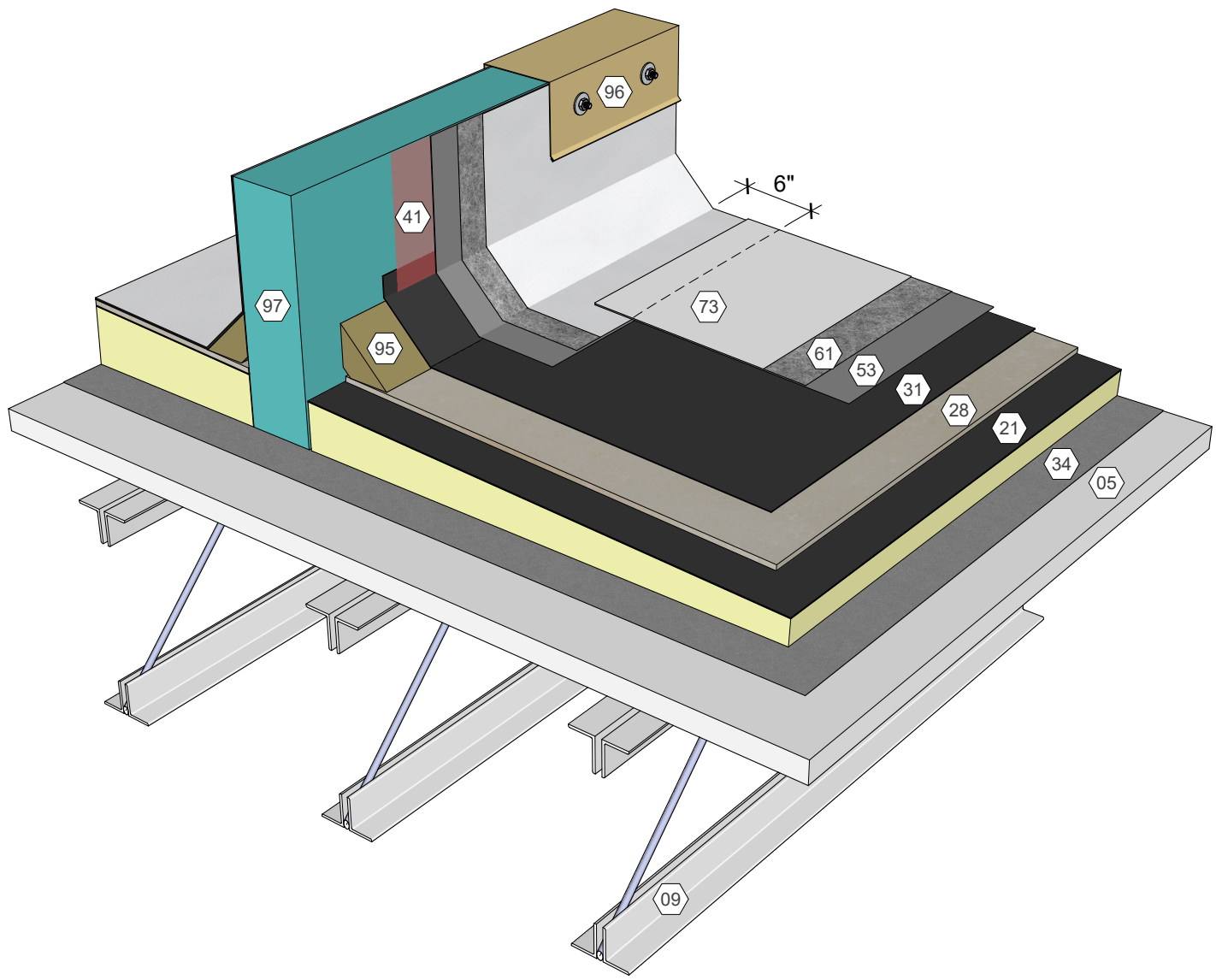


### KEY NOTES

- 04 Wood Deck
- 09 Roof Structure
- 21 Polyisocyanurate Insulation (Adhered)
- 28 Cover Board (Adhered)
- 31 Approved Base Ply Sheet
- 34 Base Sheet (Fastened)
- 41 Approved Primer
- 53 AlphaGuard PUMA Base Coat
- 61 AlphaGuard Glass Mat or Permafab
- 73 AlphaGuard PUMA Top Coat
- 95 Cant Strip
- 96 Metal Coping
- 97 Prefabricated Curb

AlphaGuard® PUMA Plus Equipment Support Detail, Wood Deck  
Detail 24104





**KEY NOTES**

- 05 Gypsum Deck
- 09 Roof Structure
- 21 Polyisocyanurate Insulation (Adhered)
- 28 Cover Board (Adhered)
- 31 Approved Base Ply Sheet
- 34 Base Sheet (Fastened)
- 41 Approved Primer
- 53 AlphaGuard PUMA Base Coat
- 61 AlphaGuard Glass Mat or Permafab
- 73 AlphaGuard PUMA Top Coat
- 95 Cant Strip
- 96 Metal Coping
- 97 Prefabricated Curb

AlphaGuard® PUMA Plus Equipment Support Detail, Gypsum Deck  
 Detail 24105

